



Erasmus+

2023

---

CNC AND 3D TRAINING AT

Š O L S K I  C E N T E R

Š K O F J A L O K A



# Who are we?

- Students of SPŠ Tábor
  - Field of mechanical engineering
  - Second and third year
- Our Names:
- Jan Rous  
Bohumil Prokop  
Dominika Pischková  
Tomáš Pěknic  
Antonín Fousek



# Czech Republic

---

- Capital city: Prague
- Population: cca 10.7 million
- Area: 78 871 km<sup>2</sup>
- Official language: Czech
- Highest point: Sněžka (1603 m)
- Politically independent since 1993
- Part of EU since 2004



# Tábor

Population: 34 thousand

Area: 62,22 km<sup>2</sup>

Region: South Bohemian (Jihočeský kraj)

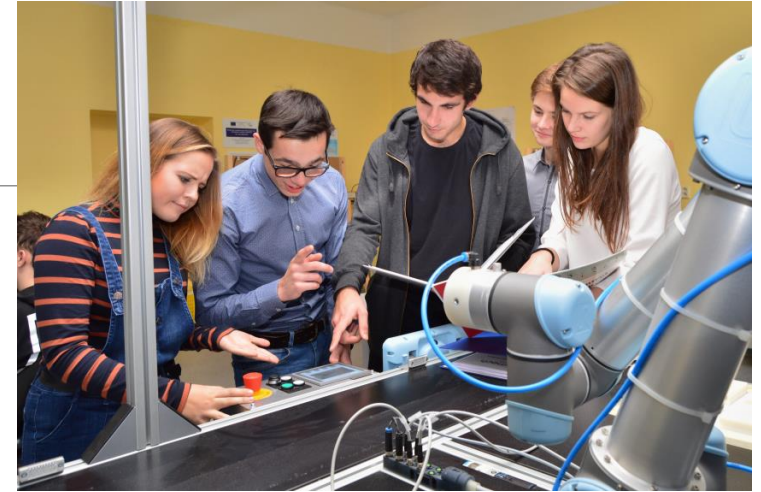
First mention: 1420 (Thabor u Nazaretu)



# SPŠ Tábor



- Founded – 1952
- Over 6000 absolvents
- Fields of study
  - Matriculation subject
    - engineering, construction
  - Subject areas
    - carpenter, machinist, painter, stonemason
  - Extension branches
    - Furniture and wood making



# Why are we in Škofja Loka

---

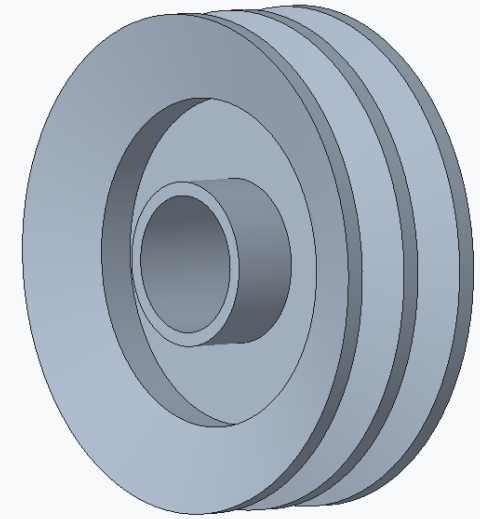
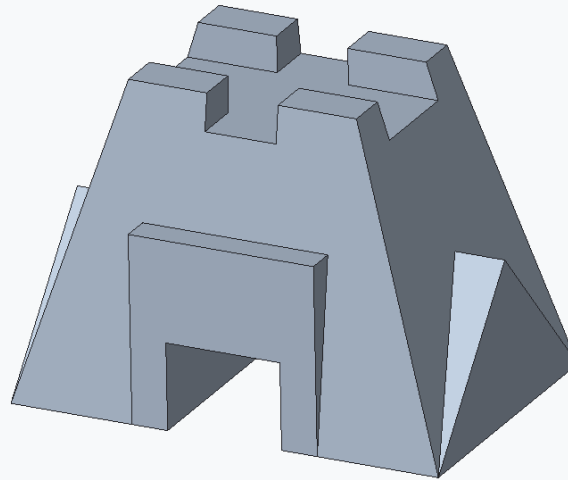


- Experience in
  - Creo
  - 3D scanning
  - CNC programming
- Different culture
- Connect countries and people together



# Creo 7.0

---



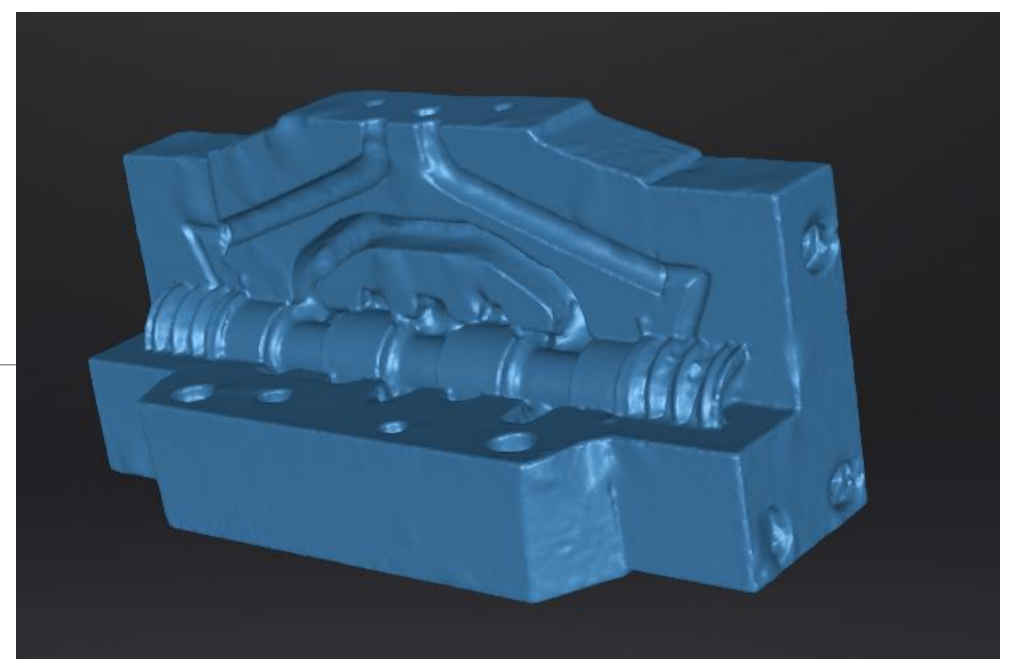
- Fundamentals in Creo,
- Sketches, parts, Assembly
- Differences between Autodesk Inventor and Creo



# 3D scanning

---

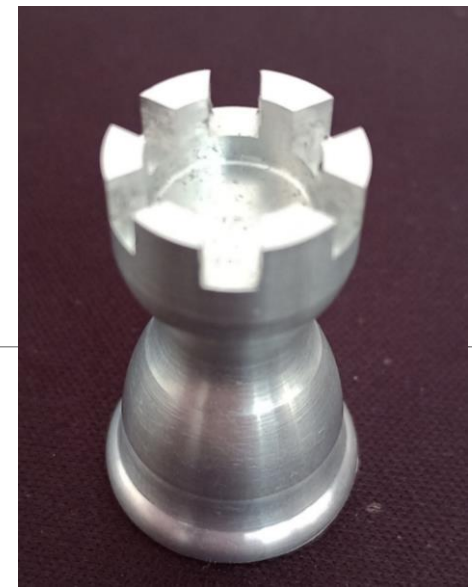
- Operating a handheld scanner
- Functions and principles of 3d scanning
- Applications in industry





# CNC Programming

- Basics of programming in Siemens Sinumerik
- G-Code and cycles
- Practical experience on turn and mill
- Machining a chess rook



# LTH Castings D.o.o.

---



- Excursion through the tool-shop
- Designing and manufacturing process
- History of the company



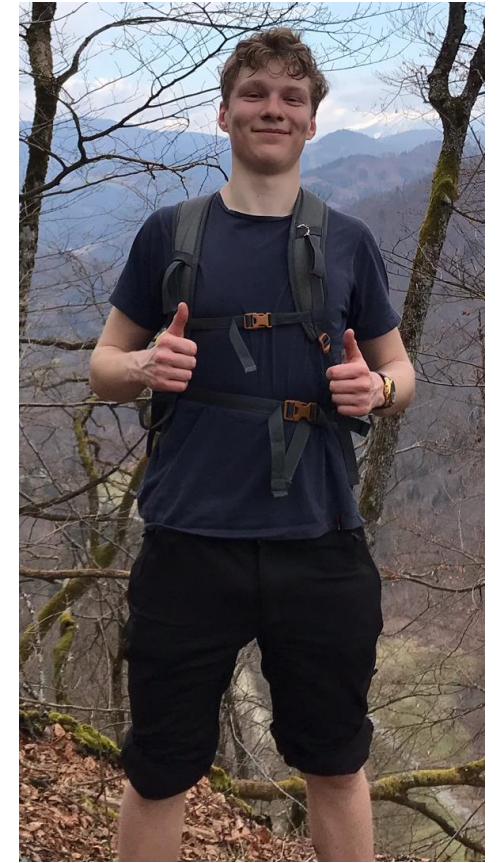
# Trip to Loški grad

---



# Hike to Lubnik

---



# Trip to Ljubljana

---



# Special thanks to

---

- Tadej Gartner
- Matjaž Luznar
- Blaž Žakelj
- Matej Praprotnik
- Iztok Basaj
- Tomáš Vančura
- Jaroslav Kadlec

Thank you for  
your attention

---